



Structure of new concepts which allows to perfectly turn over, with no need for a chute, the bowl of any type of spiral mixer and planetary mixer

Compact dimensions and versatile construction make the SR elevator practical and easy to use

Electrical and mechanical drive devices ensure safety on all elevator functions

Trolleys lock in secure fasteners for safe and practical lifting

The elevator is mounted on wheels and after final positioning it can be locked to the floor

Ascent can be semi-automatic with jogged tipping or automatic with complete unloading

Accident prevention guard rail and ascent speed are in compliance with the safety standards

Control panel and electrical installation are protection category IP 55; motors are IP 54

**The machine is built to comply with the accident prevention, hygiene and electric standards in force**

**Use other than envisaged by the manufacturer are forbidden without the latter's authorization**

**TECHNICAL FEATURES**

Installed power:	kW 1.5/2.2(*)		(*):only for bowls of 250 and 300 kg.	
Voltage:	230/50/3+N+E	400/50/3+N+E	220/60/3+N+E	
Weight:	kg 505 (SR14)	kg 535 (SR18)	kg 565 (SR21)	
	kg 620 (SR26)			

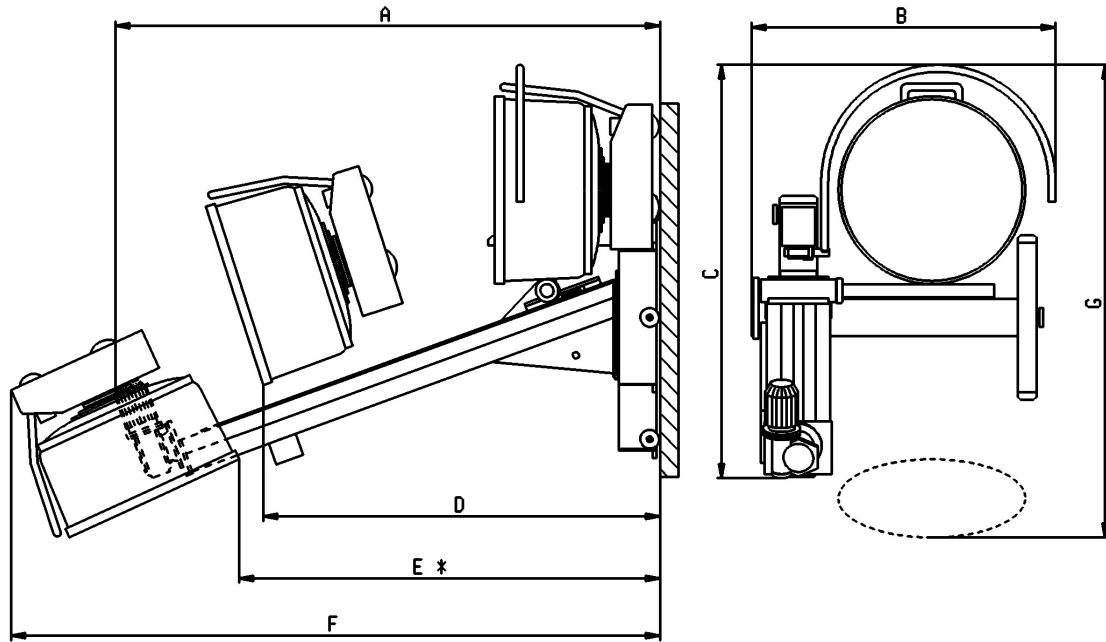
**FUNCTIONING**

After completing installation, the trolley can be inserted on the fasteners for lifting and then the accident prevention guard is lowered

On the control panel, first select the semi-automatic lifting cycle with automatic ascent up to a given level, then manual up to the desired unloading level, or the automatic cycle with complete lifting-tipping.

After the descent command, floor level will be reached.

**DIMENSIONS** (in millimeters)



ELEVATOR	SR14	SR18	SR21	SR26	SR30	MAXIMUM LIFTING WEIGHT
TROLLEY ISA 120 FAST	A	2220	2920	3420		Kg 390
	B	1500	1500	1500		
	C	1900	2000	2190		
	D	1400	1800	2100	2600 *	
	E	1505 *	1990 *	2290 *	2790 *	
	F	2640	3040	3340	3840	
	G	-	2080	2190	2370	
TROLLEY ISA 160 FAST	A	2220	2920	3420		Kg 435
	B	1500	1500	1570		
	C	1930	1930	2040	2220	
	D	1400	1800	2100	2600	
	E	1570 *	1960 *	2260 *	2760 *	
	F	2640	3040	3400	3840	
	G	2000	2150	2260	2440	
TROLLEY ISA 200 FAST	A	2220	2920	3420		Kg 550
	B	1510	1510	1570		
	C	2040	2050	2150	2330	
	D	1400	1800	2100	2600	
	E	1575 *	1965 *	2265 *	2765 *	
	F	2700	3100	3400	3900	
	G	2160	2300	2410	2590	
TROLLEY IMP.5/AUT-240	A	2220	2920	3420		Kg 680
	B	1640	1640	1640		
	C	2100	2110	2220		
	D	1400	1800	2100	2600 *	
	E	1560 *	1950 *	2250 *	2750 *	
	F	2820	3220	3520		
	G	2290	2430	2540		
TROLLEY IMP.5/AUT-300	A	2220	2620			Kg 890
	B	1700	1700			
	C	2290	2290			
	D	1400	1800			
	E	1550 *	1940 *			
	F	2920	3320			
	G	2540	2680			

\* Indicative dimension